



# BAL 4070, BAL 4070-10, BAL 4070-50 BALUNS FOR ISO / DTS 7637-4, MBN 10284-3



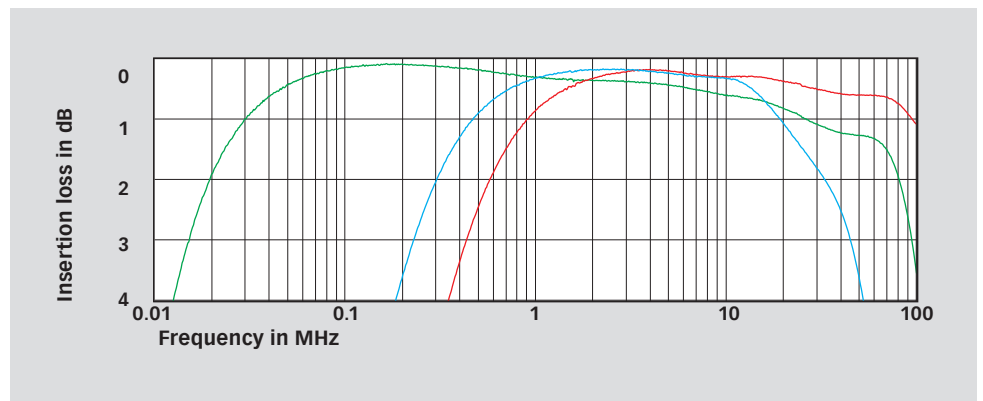
- Baluns for pulsed sinusoidal disturbances test according ISO/DTS 7637-4 and MBN 10284-3
- 3 models for dedicated frequency bands
- N sockets
- Input 50 Ω to output 2x N (symmetrical 100 Ω, screened)

The standard ISO/DTS 7637-4 specifies tests for pulsed sinusoidal disturbances. Teseq offers with BAL 4070 the balun transformer, which is required to couple the disturbance signal over the artificial networks to the device under test. The optionally available CAS BAL4070 allows the verification/calibration of BAL 4070. The versions BAL 4070-10 and BAL 4070-50 have been developed for tests according to MBN 10284-3, where tests are performed between 150 kHz and 50 MHz.

### Electrical specification

	BAL 4070	BAL 4070-10	BAL 4070-50
Application	ISO/DTS 7637-4	MBN 10284-3	MBN 10284-3
Frequency range	1 MHz to 10 MHz	50 kHz to 10 MHz	1 MHz to 50 MHz
Insertion loss	<0.5 dB, see graph for typical values	<0.9 dB, see graph for typical values	<1.0 dB, see graph for typical values
Transmission ratio	50 Ω unsymmetrical to 100 Ω symmetrical		
Input power valid for max. 25°C room temperature	200 W (for 10 min), 100 W (for 30 min) Cooling time >120 min	200 W (for 5 min), 100 W (for 15 min) Cooling time >120 min	200 W (for 10 min), 100 W (for 30 min) Cooling time >120 min
Connectors	Input N 50 Ω to output 2x N (symmetrical 100 Ω between the inner contacts of booth N connectors, screened)		

Typical insertion loss — BAL 4070, — BAL 4070-10, — BAL 4070-50

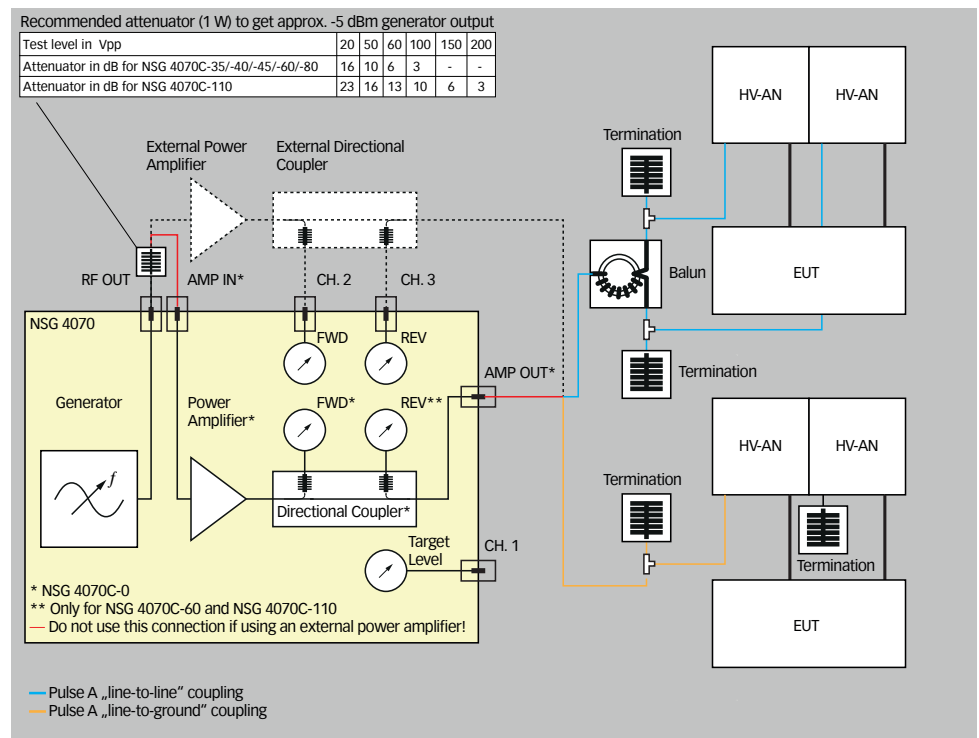


# BAL 4070, BAL 4070-10, BAL 4070-50 BALUNS FOR ISO / DTS 7637-4, MBN 10284-3

## Mechanical specifications and environmental conditions

Size (W x H x D):	130 mm x 60 mm x 90 mm
Weight:	approx. 0.5 kg
Classification:	Indoor use only
Operating temperature:	+5°C to +40°C (see table page 1)
Relative humidity:	up to 80 %

## Example test setup for pulsed sinusoidal disturbances



## **BAL 4070, BAL 4070-10, BAL 4070-50** **BALUNS FOR ISO / DTS 7637-4, MBN 10284-3**

### Sets for immunity test according ISO/DTS 7637-4 and MBN 10284-3

	SET 4001	SET 4002	SET 4003
HV-AN 150 + HV-AN 150-TC	2x included	-	-
BAL 4070 + BAL 4070-TC	1x included	1x included	-
50 $\Omega$ Termination, 200 Watts	2x included	2x included	2x included
T-piece connector: N-jack, N-plug, N-jack	2x included	2x included	2x included
RF cables set: 2x LE 214: RG58, 0.1 m, N-m / N-m 1x CHA 9511: Ecoflex 10, 1 m, N-m / N-m 2x CHA 9516: Ecoflex 10, 2 m, N-m / N-m	1x included	1x included	1x included

### Setup for verification / calibration with option CAS BAL4070



# BAL 4070, BAL 4070-10, BAL 4070-50 BALUNS FOR ISO / DTS 7637-4, MBN 10284-3

## Model No.

Part number	Description
253905	BAL 4070 Balun for immunity test according ISO / DTS 7637-4, frequency range 1 to 10 MHz, max. power 80 W
253902	BAL 4070-10 Balun for immunity test according MBN 10284-3, frequency range 50 kHz to 10 MHz, max. power 80 W
253903	BAL 4070-50 Balun for immunity test according MBN 10284-3, frequency range 1 to 50 MHz, max. power 80 W
97-253905	BAL 4070-TC Traceable calibration (ISO17025), order only with device BAL 4070
98-253905	BAL 4070-ACC DAKKS accredited calibration (ISO 17025) of BAL 4070
97-253902	BAL 4070-10-TC Traceable calibration (ISO17025), order only with device BAL 4070-10
98-253902	BAL 4070-10-ACC DAKKS accredited calibration (ISO 17025) of BAL 4070-10
97-253903	BAL 4070-50-TC Traceable calibration (ISO17025), order only with device BAL 4070-50
98-253903	BAL 4070-50-ACC DAKKS accredited calibration (ISO 17025) of BAL 4070-50

## Recommended options

Part number	Description
253906	CAS BAL4070 Calibration set for BAL 4070, traceable calibration and certificate included
257500	SET 4001 Set for immunity test according ISO 7637-4, frequency range 1 to 10 MHz, max. power 80 W, includes 2x HV-AN 150, 2x HV-AN 150-TC, 2x termination 200 W, 2x T-piece connector, RF cables with N connectors, BAL 4070 and BAL 4070-TC
257501	SET 4002 Set for immunity test according ISO 7637-4, frequency range 1 to 10 MHz, max. power 80 W, includes 2x termination 200 W, 2x T-piece connector, RF cables with N connectors, BAL 4070 and BAL 4070-TC
257507	SET 4003 Set for immunity test according ISO 7637-4, includes 2x termination 200 W, 2x T-piece connector, RF cables with N connectors

**AMETEK CTS Europe GmbH**  
Landsberger Str. 255 · 12623 Berlin · Germany  
T +49 30 56 59 88 35 F +49 30 56 59 88 34  
customer@cts.ametek.com  
[www.ametek-cts.com](http://www.ametek-cts.com)

© July 2022 Teseq®  
Specifications subject to change without notice.  
Teseq® is an ISO-registered company. Its products are designed and manufactured under the strict quality and environmental requirements of the ISO 9001. This document has been carefully checked. However, Teseq® does not assume any liability for errors or inaccuracies.

82-253905 E08 July 2022